

VSE Aviation MRO SERVICES

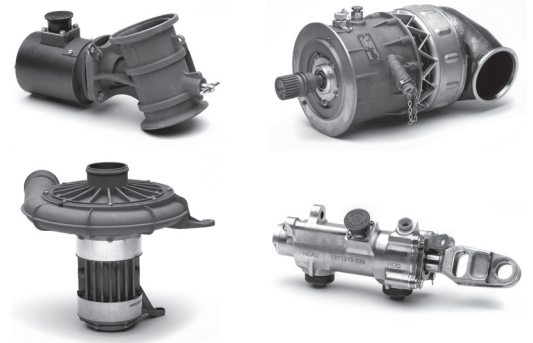
OVERVIEW

VSE Aviation Services is an FAA/EASA Part 145 Repair Station with state-of-the-art facilities in Miramar, FL and Cincinnati, OH capable of supporting both new generation and classic Commercial and Cargo aircraft. In addition to traditional T&M MRO services, we offer many different levels of support with programs tailored to each customer's specific requirements.

We carry a large inventory of rotatable components to support our repair operations as well as industry demand.

WE SPECIALIZE IN THE FOLLOWING REPAIRS FOR COMMERCIAL AND CARGO AIRCRAFT:

- High-flow/High-temp pneumatics
- Fuel accessories
- Hydraulics
- Electrical and electronic accessories
- Avionics
- Instruments
- Crew seats
- Interiors
- Galleys
- O2 systems
- Cargo systems
- Waste systems
- Diffusers / plenums



OUR FACILITIES HOUSE FULLY-AUTOMATED TEST EQUIPMENT CAPABLE OF PERFORMING MANY TESTS, INCLUDING:

- Starter cycle, overspeed and PAWL liftoff tests
- Starter full vibration monitoring and reporting
- High-flow & high-temp components
- Vacuum chamber capable of simulating pressure at altitude
- Pneumatic static bench with proof test capable of up to 2000 PSI with 2" supply lines
- Fuel main accessories testing of pumps, boost pumps, fuel controls, VSV actuators, pressure switches and fuel flow transmitters
- Hydraulic components for all current and next generation commercial aircraft including A350 and B787

VSE Aviation Services also offers complete in-house engineering services and rotatable components exchanges.